

Figure 12: Allowable radial deformation of the pre-berth ACBM/PE Interface due to internal element pressure. Dimensions are inch(mm). Original graphic credit: SSP 41004J.

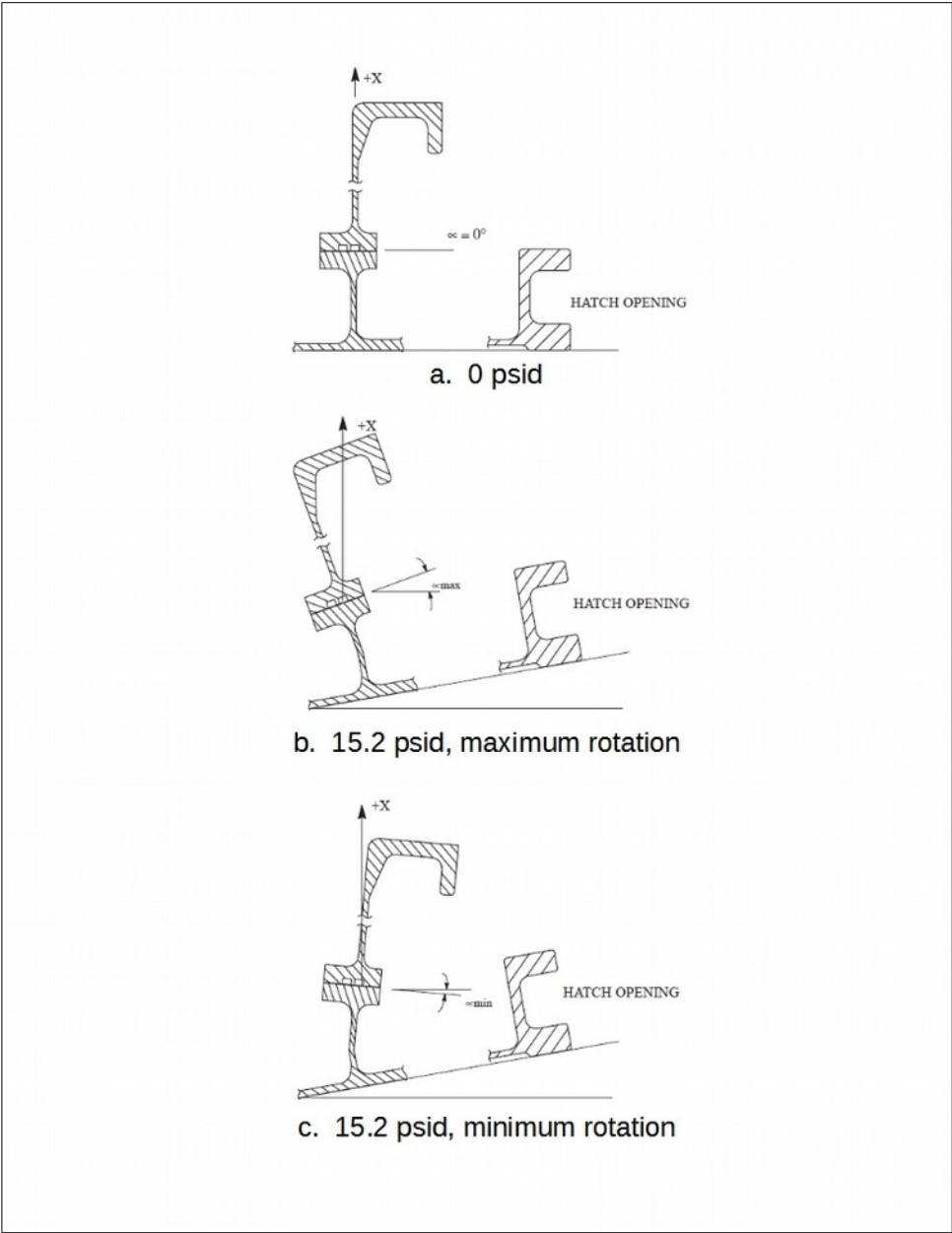


Figure 13: Allowable rotation about any local tangent of the CBM/PE Interface due to internal element pressure (unberthed). Original graphic credit: SSP 41004J.